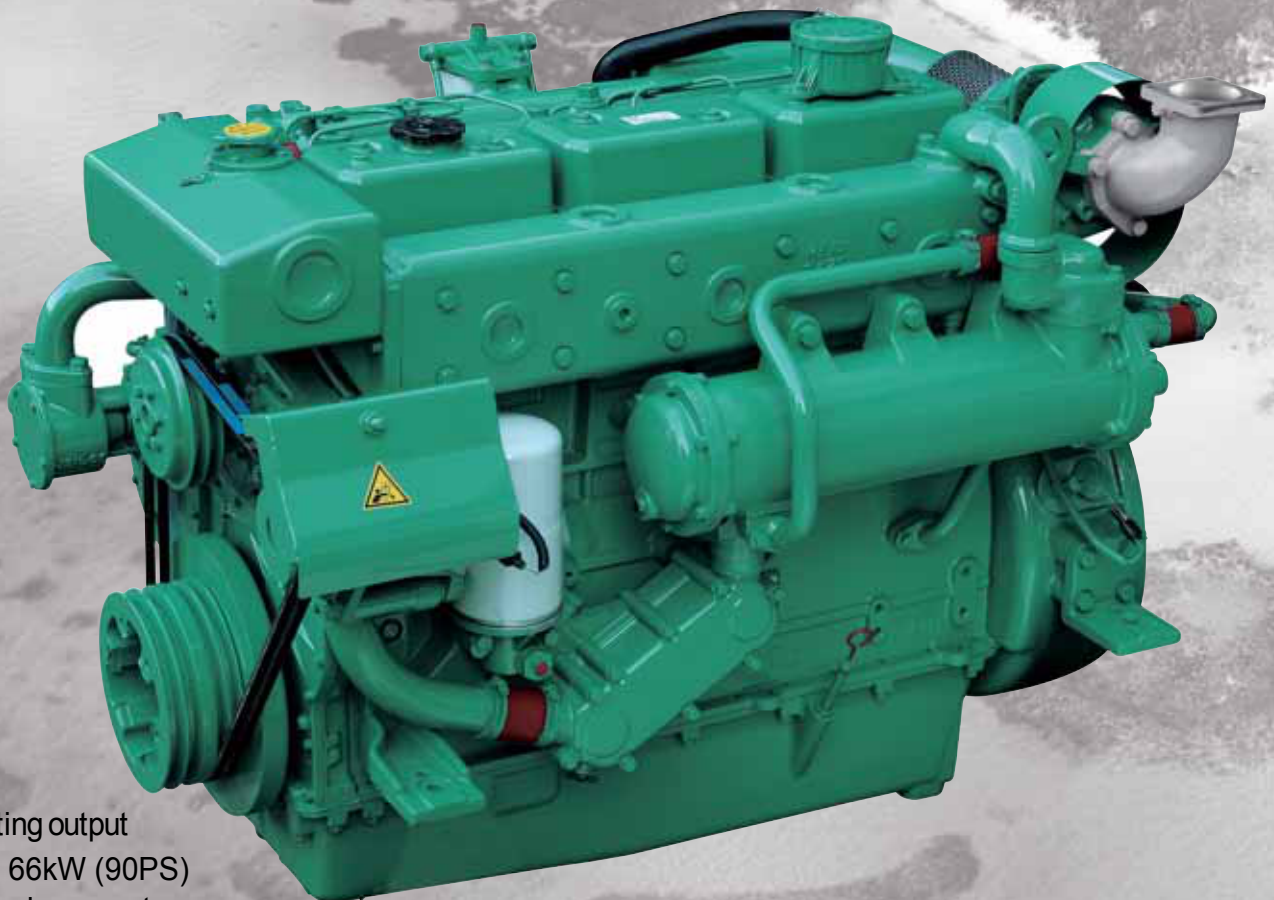




# Marine Diesel Engine L136T2

- Compact Design
- Excellent Performance
- Low Fuel Consumption
- Easy Maintenance



- Rating output  
66kW (90PS)
- Displacement  
8,071cc
- Dimension (L x W x H)  
1,351 x 893 x 937mm  
Without Reduction Gear

**Doosan Infracore  
Engine**

## Main Specification

Model	Units	L136T2
Engine type		4cycle, In line, direct-injection, water cooled with turbo charger
Rating output	PS(kW)/ rpm	90(66) / 1,700
Displacement	cc	8,071
Cylinder number -bore stroke	mm	6 - 111 x 139
Flywheel housing & fly wheel		SAE 2 & 11 1/2
Low idling rpm	rpm	675 ± 25
No load max. rpm	rpm	below 2,050
Compression ratio		16.7 : 1
Firing order		1 - 5 - 3 - 6 - 2 - 4
Governor type of injection pump		Mechanical all speed (R.S.V)
Fuel consumption (only Ref.)@rated power	g / ps.h	153
	Lit/h	16.5
Starting system		Electric Starting by starter motor
Starter motor capacity	V - kW	24 - 4.5
Alternator capacity	V - A	24 - 50
Battery	V - Ah	24 - 100
Cooling system		Indirect sea water cooling with heat exchanger
Cooling water capacity	Max. / Min.	lit 27 / 25
Fresh water pump type		Centrifugal type, driven by V-belt
Sea water pump type		Rubber impeller type driven by gear
Lubricating oil (Engine)	Pan capacity	lit Max : 23, Min : 17 (Engine total : 25)
	Pressure	kg/ cm <sup>2</sup> Full : 3.5, Idle : 1.2
Direction of revolution	Crankshaft	Counter clockwise viewed from stern side
Engine Size(LWH)	Without M/ G	mm 1,351 x 893 x 937
Engine dry weight	Without M/ G	kg 748

## Performance Curve

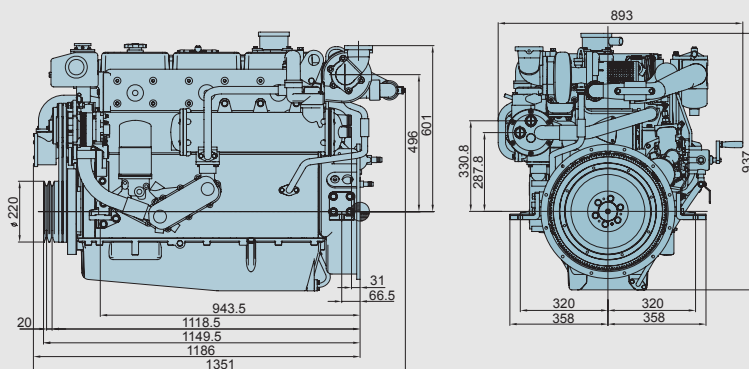
### Marine rating to ISO 3046

#### Heavy Duty

- Operation hours : unlimited per year, unlimited per day
- Average load application : up to 90%
- Percentages of time at full load : up to 80%
- Typical gearbox ratio : 2.5-6

\* Application : Fishing trawler, Tug boat, Pushing vessel, Cargo boat, Freighter

## Engine Dimension



(Jan.2013)

## Doosan Infracore Engine

21/F, Doosan Tower, 18-12, Euljiro 6-ga,  
Jung-gu, Seoul, 100-730, Korea.  
Tel : 82 2 3397 8400  
Fax : 82 2 3397 8509  
Email : doosanmarineengines@doosan.com  
http://engine.doosaninfracore.co.kr

AUTHORIZED DEALER



Specifications are subject to change without prior notice.